

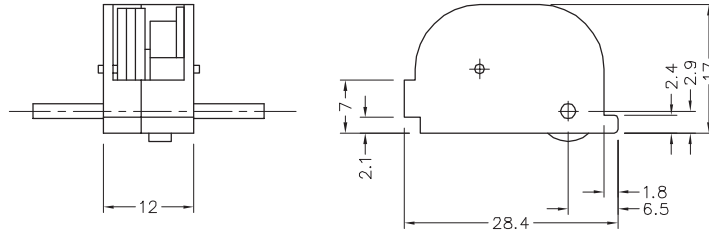
# FRICION GEAR BOX SERIES



## F301A

SHAFT Ø2.0

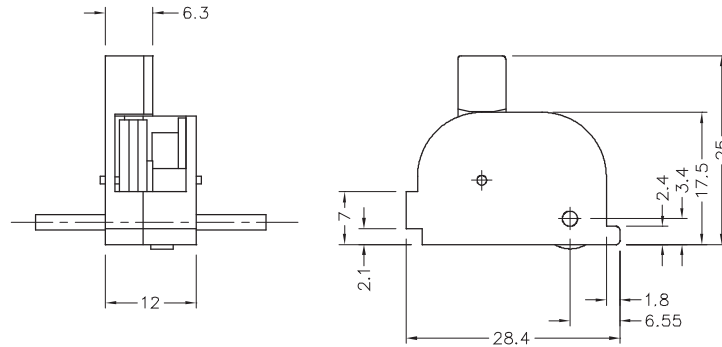
FRICION



## F301S

SHAFT Ø2.0

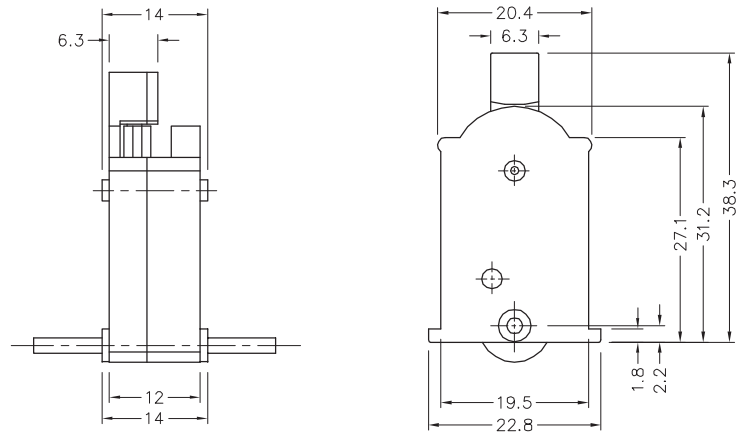
FRICION  
FLY WHEEL W/SPARKLING



## F302S

SHAFT Ø2.0

FRICION  
FLY WHEEL W/SPARKLING



## F303

SHAFT Ø2.0

FRICION/FLY WHEEL

